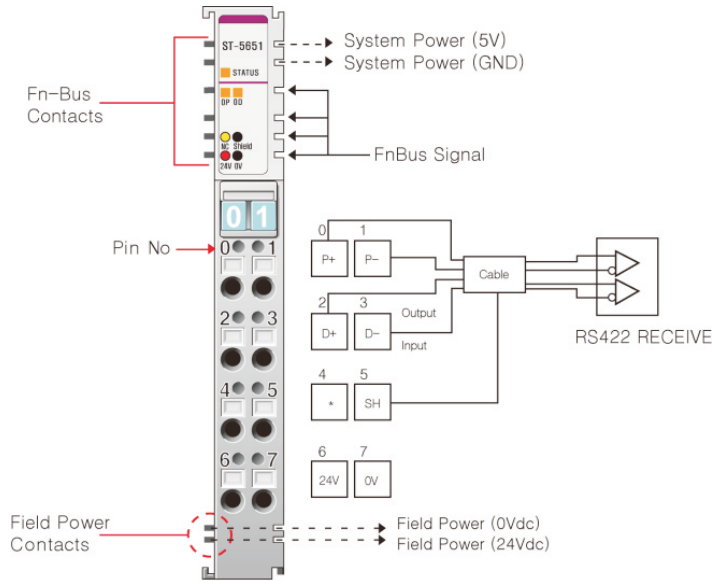


ST-5651

PWM, 1 Channel Output, RS422



Item		ST-5651
Output Specification		
Number of Channel	1 Channel, RS422 Differential Output	
Number of Output	2 Output (1 Pulse Output, 1 Pulse Direction Output)	
Indicators	1 Green/Red Fn-Bus Status 1 Pulse Output LED, 1 Pulse Direction Output LED	
Pulse Output Frequency	5 ~ 200,000Hz ± 1.0%	
Pulse Output Duty	50% ± 0.1% Fixed, Ton>10us, Toff>10us	
Pulse Output Quantity with One Command	Continuous Pulse Output Max. +1 ~ 32767 : Pulse Direction Output OFF Max. -1 ~ 32767 : Pulse Direction Output ON	
Pulse Output Counter	Signed 32bit-wide	
Common Type	1 Common, 1 Shield	
General Specification		
Power Dissipation	Max. 150mA @5.0Vdc	
Isolation	I/O to Logic : Photocoupler Isolation I/O to Field Power : Non-Isolation	
Field Power	Supply Voltage : 24 Vdc nominal Voltage Range : 18 ~ 28.8Vdc Power Dissipation : Max. 40mA @ 24Vdc	
Wiring	I/O Cable Max. 2.0mm ² (AWG#14)	
Weight	70g	
Module Size	12mm x 99mm x 70mm	
Environment Condition	Refer to "Environment Specification"(page : 1-191)	
Pin No.	Description	
0	Pulse+ (RS422 Differential Output)	
1	Pulse- (RS422 Differential Output)	
2	Direction+ (RS422 Differential Output)	
3	Direction- (RS422 Differential Output)	
4	-	
5	Shield	
6	Field Power 24V	
7	Field Power 0V, Common	
-	-	
-	-	
-	-	
-	-	
-	-	
-	-	
-	-	
-	-	
-	-	